

## ○ ROTO(S) 800 / 1000 / 1200

### ROTO(S) SERIES MODEL FEATURES

Adopting P.L.C. German SIEMENS (programmable logical controller) system with humanized machine interface touch screen of which allow the easier operation and also improves the quality of printer registration and efficiency.

Adopting a double-shaft 360° rotary design of the unwinder and rewinder of which allow the smooth and quick material change. It is also under the guidance of the microcomputer controller devoting the auto register controller system of minimized waste.

Adopting AC motor, being with an advanced inverter type drive control system and P.L.C. programmable software for printing press. Whether its speed is increased or decreased, it will be matched microcomputer humanized machine control system for printing. By means of using the sensitive and accurate synchronous proportion running, it presents the most precise printing quality.

Adopting high effective dry oven; 2-layer design following the principle of aerodynamics that makes hot air spread evenly without causing turbulence. The position of the dry oven is very close to the gravure cylinder of which allows the film to enter the dry oven immediately after printing and reduces the time the film being exposed to air, helping preserve its original color.

The ink doctor blade utilizes a non-screw design with a clamping system of which makes the doctor blade more stable, keeping it straighter, and being convenient to replace. Pressure of doctor blade is designed of double pneumatic cylinder type with adjustment valve.

Adopting an automatic synchronous assist rotating system (ASAR system); before splicing new material, the shaft will be automatically rotated to match printing speed. This system is to make sure splicing smoothly while keeping tension and color register very stable.

Both the unwind and rewind units are all adopted to the double dancing rollers, while printing processes on the very thin plastic film, highly flexible, stretching and blowing film; the double dancing roller can remove tension while with ASAR system to ensure the minimum waste.

### ROTO(S) 標準系列機型特點

1. 採用德國西門子P.L.C. 可程式之邏輯驅動電控系統，配合法國施耐德人機界面觸控式彩色螢幕面板，簡化操作程序，有效提昇印刷套色品質及效率
2. 收料、放料座均採雙軸360° 轉換設計，順利平穩的完成自動換料動作，並在微電腦自動套色系統的配合下，使廢料損失降至最低
3. 均採AC向量驅動馬達，並搭配可程式印刷機專用軟體，在印刷中無論加速、減速均能配合微電腦人機界面操控系統。以敏銳精密的同步比例運動功能，呈現最佳及精準的印刷品質
4. 使用高效率乾燥烘箱，並依空氣力學原理，採用雙層式設計，使熱流均勻分佈不至產生亂流，並且乾燥烘箱位置設計較接近版鋼，使印刷後之薄膜即進入乾燥烘箱，減少與空氣接觸時間，保存原有印刷色調
5. 刮刀座採用無螺絲一次夾緊裝置，刮刀角度採雙氣缸式控制調整，使刮刀夾持穩固，保持刮刀筆直且更換快速便捷
6. 採用自動同步助走裝置，收、放料換軸時新軸將自動預轉至印刷速度，使收、放料換軸動作更同步順暢，全程張力穩定，套色不受影響
7. 收料及放料均採雙張力控制舞輪配備，有效穩定張力變化，確保印刷張力常數

## ○ ROTO(S) 800 / 1000 / 1200 SPECIFICATION

Model 型號	ROTO(S) - 800	ROTO(S) - 1000	ROTO(S) - 1200
Material 印刷材料	BOPP, PET, PE, CPP, NYLON, PVC Shrinkable Film		
Print Cylinder Fixing by 版鋼固定方式	Shaftless Pneumatic Clamping System (無軸氣壓內頂版鋼固定式)		
Max. Width of Printing Material 印刷材料最大寬度	800 mm	1000 mm	1200 mm
Max. Width of Gravure Cylinder 印刷版鋼寬度	550 ~ 850	750 ~ 1050	950 ~ 1250
Diameter of Gravure Cylinder 印刷版鋼直徑	Φ 135 mm ~ Φ 290mm		
Max. Diameter of Material (Unwind & Rewind) 放料、收料最大直徑	Φ 700 mm		
Width of Guide Roller 導輪寬度	900 mm	1100 mm	1300 mm
Max. Machine Speed 最高機械速度	200 m/min		
Max. Print Speed 最高印刷速度	150 ~ 200 m/min		
Main Drive Motor 主機馬達	AC European import Motor (with import vector type drive control system)		
In-feed, Out-feed, Unwind and Rewind Motors 引入、引出、放料、收料馬達			
Dry Oven 乾燥烘箱	Electric Heating Type (Standard)		
Optional Equipment 選購配備	<ol style="list-style-type: none"> <li>1. Auto Register Controller System (自動套色系統)</li> <li>2. Video Inspection System (靜態觀測系統)</li> <li>3. Gas Burner Drying System (瓦斯燃燒機)</li> <li>4. Thermal Oil System (熱媒熱交換器)</li> <li>5. Reverse Printing Turn Bar System (反轉架)</li> <li>6. Pneumatic Ink Circulation Pump (氣壓油墨循環泵浦)</li> </ol>		

All specification and design are subject to change without notice.  
本公司不斷研究改進，本型錄所示之機械規格，設計特性，本公司有變更之權利恕不另行通知



**HSING WEI MACHINE INDUSTRY CO., LTD.**

NO.30-1, 36TH RD., TAICHUNG INDUSTRIAL PARK, 407 TAIWAN.  
TEL:+886-4-2358-0087 FAX:+886-4-2359-9965  
E-mail:sales@hsingwei.com  
http://www.hsingwei.com



PROFESSIONAL MANUFACTURER OF ROTOGRAVURE  
PRINTING PRESS FOR FLEXIBLE PACKAGING MATERIALS

## ROTO(S) 800 / 1000 / 1200



**SHAFTLESS**

PROFESSIONAL MANUFACTURER OF ROTOGRAVURE  
PRINTING PRESS FOR FLEXIBLE PACKAGING MATERIALS

**ROTO(S) 800 / 1000 / 1200**



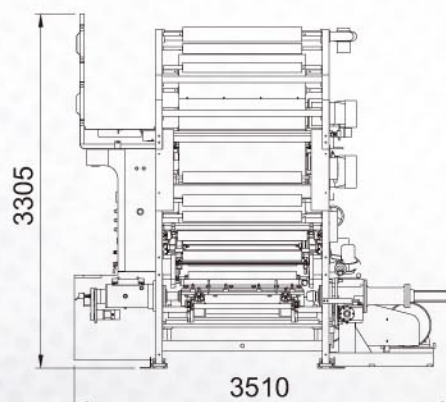
○ MACHINE DIMENSIONS



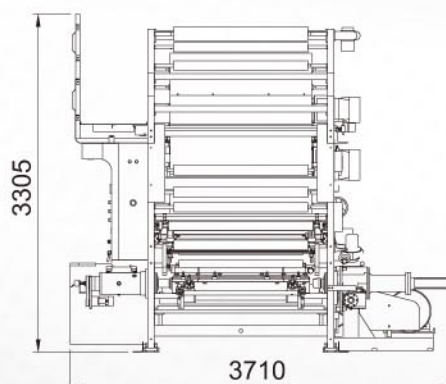
5 colors	6 colors
L 14850 mm	L 16350 mm

7 colors	8 colors
L 17850 mm	L 19350 mm

9 colors	10 colors
L 20850 mm	L 22350 mm



**ROTO(S)-1000**  
Shaftless Type 無軸式



**ROTO(S)-1200**  
Shaftless Type 無軸式

○ FLOW CHART

